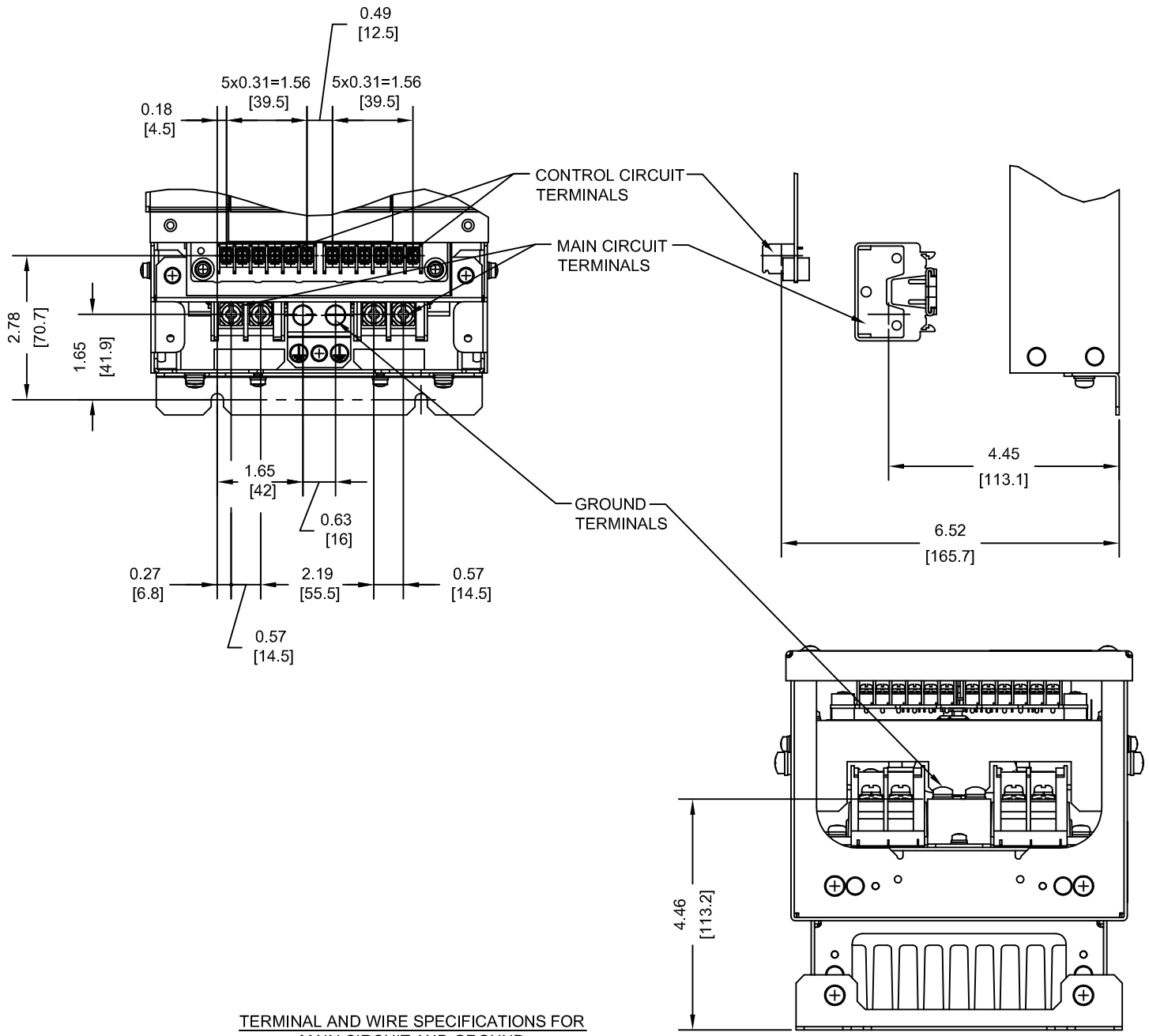


MODEL # CDBR-	BRAKING VOLTAGE LEVEL (VDC)	PEAK DISCHARGE CURRENT (A) (10% ED, 10 s)	CONTINUOUS DISCHARGE CURRENT (A)	WEIGHT LBS (Kg)	HEAT LOSS (W)		
					INT	EXT	TOT
2055D	270-380	120	40	13.0 (5.9)	16	48	64
4090D	630-760	100	30	13.0 (5.9)	13	38	51

FOR ADDITIONAL DETAILS AND SPECIFICATIONS, CONSULT MANUAL

TOLERANCES / REFERENCES:		<b>YASKAWA</b>	DRAWN: J. MATTAS	DATE 4-1-16	TITLE: CDBR DIMENSION DRAWING			
UNITS: IN[mm]			SCALE: 1:4	CHECKED: J. PIOTROWSKI	DATE 4-8-16	FRAME SIZE 2		
			THIS DOCUMENT AND INFORMATION CONTAINED IN IT ARE CONFIDENTIAL, AND CANNOT BE COPIED OR DISCLOSED IN WHOLE OR IN PART WITHOUT THE EXPRESS WRITTEN CONSENT OF YASKAWA AMERICA, INC.		TECH: J. BORJA	DATE 4-12-16	NEMA TYPE 1 ENCLOSURE	
ORIGINAL DESIGN: -					APPROVED: J. CAIRO	DATE 5-11-16	SIZE A	REVISION R00
						DRAWING #: <b>DD.CDBR.D.FR2.N1</b>		

TERMINAL AND WIRING DETAILS (SCALE 1:3)



TERMINAL AND WIRE SPECIFICATIONS FOR MAIN CIRCUIT AND GROUND

MODEL # CDBR-	TERMINAL SYMBOL	TERMINAL SCREW	CLAMPING TORQUE lb.in.(N.m.)	WIRE RANGE AWG(mm <sup>2</sup> )
2055D 4090D	⊕, ⊖, B1, B2	M5	17.7 TO 22.1 (2.0 TO 2.5)	8-6 (8-16)
	IN1, IN2, OUT1, OUT2, SB, SC, MA, MB, MC, EA, EB, EC	M3.5	7.1 TO 8.9 (0.8 TO 1.0)	18-14 (0.75-2)
	⊕	M5	17.7 TO 22.1 (2.0 TO 2.5)	6 (16)

NOTE: REFER TO APPLICABLE CODES FOR PROPER WIRE TYPE AND SIZE

FOR ADDITIONAL DETAILS AND SPECIFICATIONS, CONSULT MANUAL

TOLERANCES / REFERENCES:		<h1>YASKAWA</h1> <p><i>THIS DOCUMENT AND INFORMATION CONTAINED IN IT ARE CONFIDENTIAL, AND CANNOT BE COPIED OR DISCLOSED IN WHOLE OR IN PART WITHOUT THE EXPRESS WRITTEN CONSENT OF YASKAWA AMERICA, INC.</i></p>	DRAWN: J. MATTAS CHECKED: J. PIOTROWSKI TECH: J. BORJA APPROVED: J. CAIRO ORIGINAL DESIGN: -	DATE 4-1-16 DATE 4-8-16 DATE 4-12-16 DATE 5-11-16 DATE -	TITLE: CDBR DIMENSION DRAWING FRAME SIZE 2 NEMA TYPE 1 ENCLOSURE CDBR2055D, CDBR4090D
UNITS: IN[mm]	SCALE: BY VIEW		SIZE A REVISION R00 DRAWING # DD.CDBR.D.FR2.N1	PAGE 2 of 2	